

Gynae Chair w/Trendelenburg

**Designed with comfort in mind for both practitioner and patient.
Suitable for Gynaecology & Urology examination & treatments.**

The padded footrests replace the old fashioned stirrups providing additional comfort for the patient.

Standard features include electrically operated seat tilt as well as offering trendelenburg operation to -20°

The double lifting column utilises state of the art technology providing the greatest stability, comfort and portability.



Features

Electric Height Adjustment with handswitch

Column lift eliminating crush points

Independently Lockable Castors

Durable powder coated rust resistant frame

High quality anti-microbial vinyl & CFC free foam

5 year warranty on frame & electrics

Australian designed & manufactured

Specifications

300kg Maximum Lifting Capacity (moving)

400kg Maximum Working Load (stationary)

470mm Minimum Height

870mm Maximum Height

600mm Table Width (at widest point)

Manual backrest adjustment +70°

Electric Seat Lift +20°

Electric Trendelenburg -20°

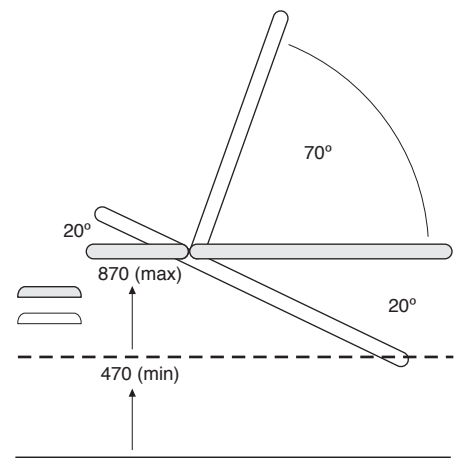
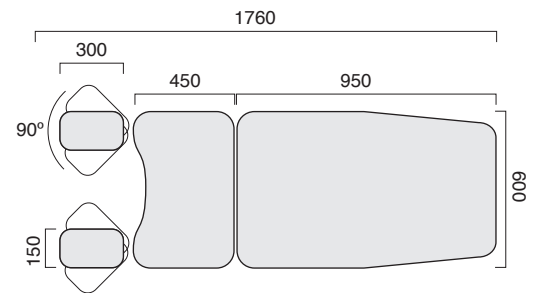
Padded adjustable footrests

Removable cut out fill section



Gynae Chair w/Trendelenburg

	CODE	QTY
Product Description		
Evolution2 Gynae Chair w/trendelenburg	55701	
Width Options		
710mm Width Option	-70	
770mm Width Option	-75	
Custom Width Option	6014	
Vinyl Options		
Non-Stock Vinyl Option	6018	
Leather Upgrade	6008	
*please refer to our colour chart for vinyl colour options		
Nose Hole Options		
Nose Hole	6011	
Nose Hole Plug	6010	
Debris Options		
Debris Tray - Gynae	5108-1	
Arm Rest Options		
Arm Rest – Drop Down	5112	
Table Protection		
Paper Towel Roll Holder	6017	
Disposable Fitted Bed Sheet – 10 pack	ANWFIT	
Extended Warranty		
10 years Frame & Electrics	7800	
Freight		
Freight charges are not included in our prices. Please contact your Healthtec representative for freight costs and options.		
Shipping Dimensions	2050mm x 850mm x 650mm	
Shipping Weight	80kg (approximately)	



*when cut out fill section is fitted