

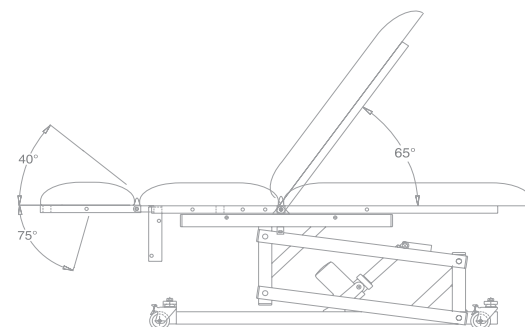
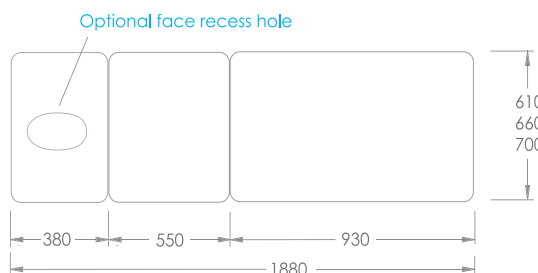
Treatment 930

Three Section

The Athlegen Treatment 930 is suitable for a wide range of modalities, including massage, acupuncture, osteopathy, beauty treatments, examinations and podiatry.

The Three Section configuration features a shorter seat section, perfect for positioning clients in a reclining or seated position, making it ideal for pedicures and podiatry treatments. The adjustable head section can include a face recess and can be slightly lowered enabling the prone patient to fully relax the neck muscles, giving optimum comfort during supine position treatments.

Optional face cradle extension with prone position armrest can also be fitted. Combine this with quiet height adjustment and you have discovered just a few reasons why this is the perfect table for your practice.



features

- Electric power height adjustment system is driven by a commercial grade linear actuator made in Germany ensuring fast, reliable and vibration free performance.
- Adjustable sections feature twin stainless steel control arms which provide extra security, support and rigidity.
- 8 pivot lifting arm mechanism, super strong, with self lubricating nylon bushes to ensure smooth and quiet operation.
- Upholstery construction features high quality Australian made cfc free foam rubbers.
- High quality protective coated vinyl with oil resistant properties; durable with a soft and comfortable feel.
- Choice of table top widths and cushioning constructions so you can customise the treatment area to best suit your needs.
- Heavy duty, industrial quality lockable castors with a chrome housing, steel bearings and a rubber wheel tread.
- Durable powder coated rust resistant frame.
- Heavy duty stainless steel footswitch.
- Built to last with very low maintenance.

specifications

Maneuverability

360° rotation, heavy duty industrial quality lockable casters.

Covering

PVC tested to AS 1441.11, AS 1530.3, AS 4088.1

Cushioning

CFC free, polyurethane foam

Frame

Powder coated, rust resistant steel frame

Maximum working height

970mm (with Standard cushioning)

Minimum working height

480mm (with Standard cushioning)

Maximum working load

175kg

Power requirements

240 VAC @ 3.4 AMPS

Table Length

1880mm

Shipping dimensions

1900mm x 800mm x 800mm

Shipping weight

125kg

Warranty

Australia 5 years structural and 3 years motor. Extended warranty available. Other countries upon request.



enquiries@electricaltablesolutions.com.au
www.electricaltablesolutions.com.au

1800 677 896